

**SolderStar - MultiWave Pro**

Featuring SolderStar  
**smartlink**  
connection System



**System Features**

- 24 x Titanium contact sensors and interface looms allow cost effective manufacture of custom fixtures
- 8 x Type K measurement channels
- Connectivity via standard USB cables or 2.4Ghz Wireless Telemetry
- Dedicated analysis software with data management tools and integrated SPC charting package

**Example Fixtures**



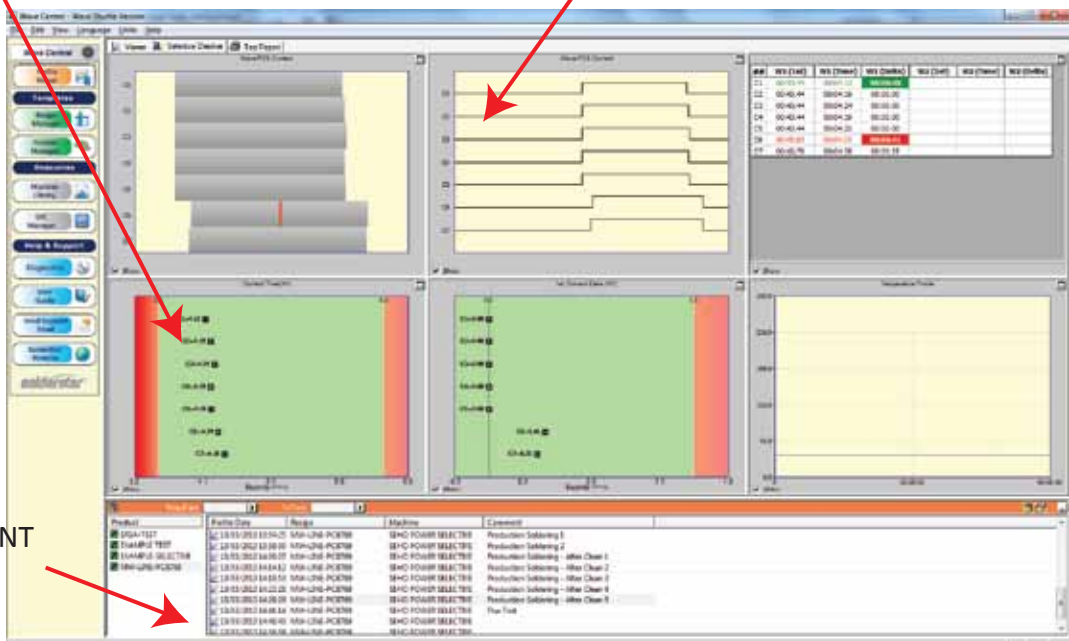
**Precise measurement and control for Multi-Wave Selective Soldering machines**

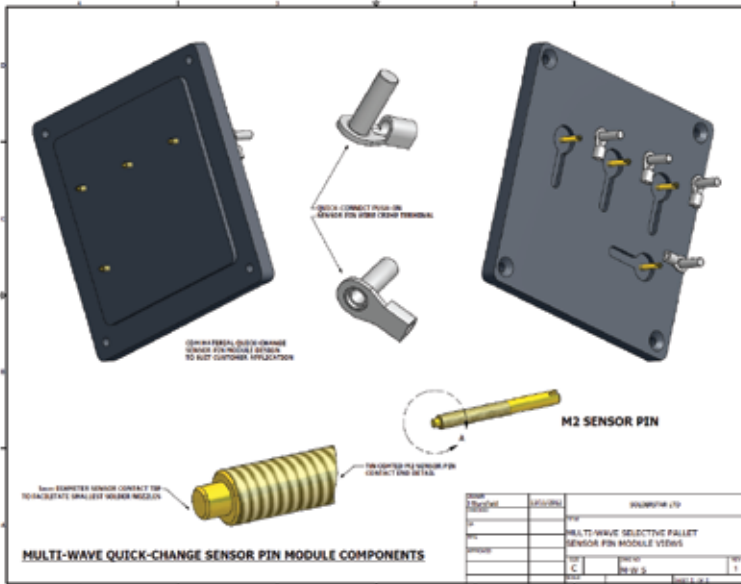
The MultiWave PRO is a compact and flexible instrument allowing dedicated test fixtures to be produced quickly and cost effectively for multi-wave soldering machines. Measurement sensors are fitted to customer specific locations which correspond to the soldering areas within the multi-wave solder pot tooling, this technique provides contact time and difference data to quickly allow engineers to identify any problem areas within the tool design.

INSTANT GOOD/BAD ANALYSIS OF PROCESS

ACCURATE MEASUREMENT OF NOZZLE/PCB CONTACT

DATA MANAGEMENT TOOLS





Example of titanium contact sensors fitted to match custom nozzle positions

### Standard Equipment

- Multi-Wave Interface Box
- 1 x 24 Way Interface Loom
- 24 x Titanium Contact Sensors
- 1 x Pre-heat PCB / Sensor
- 1 x Solder Pot Probe

*This product can be supplied as a stand-alone system complete with datalogger, or as an accessory to an existing SolderStar system. Please contact SolderStar or your local supplier for the optimum configuration for your soldering processes.*

### Optional Equipment

- 2.4Ghz Wireless Telemetry

### Additional Process Support



REFLOW • WAVE • VAPOUR

A range of process specific accessories are available to extend the system for use with Reflow ,Wave/Selective Soldering and Vapour Phase processes.

Specification subject to change without notification

## Parameters Measured

- Solder Nozzle / PCB Contact Time and first contact difference
- Solder Pot temperature
- Peak PCB Topside Temperature
- Heating Rates

## Technical Data

Construction	CDM Anti Static / Aluminium
Dwell Contacts	24
Contact sampling	All contacts 100 times per second
Timing accuracy	+/- 0.01 seconds
Temperature	8 channels - Type K
Temp Accuracy	+/- 1°C
Temp Resolution	0.02°C ( 0.1°C displayed on graph)

## Wireless Telemetry Option

Frequency	2.4GHZ Transceiver
Channels	128 Individual Channels
Protocol	Zigbee PRO - Duplex Transmission



## Software

Compatibility	Windows™ XP Vista/Windows 7/8/10 32 & 64 Bit
Language Support	English, French, German, Italian, Portuguese, Spanish & Chinese

For demonstration software visit [www.solderstar.com](http://www.solderstar.com)

For more information contact your regional Solderstar office



Solderstar Ltd  
Unit C2 - Castle Park Industrial Estate  
Bower Street, Oldham, UK OL1 3LN  
Tel: +44 (0)1706 354846  
Fax: +44 (0)1706 675296  
Email: [info@solderstar.co.uk](mailto:info@solderstar.co.uk)



Solderstar LLC  
4500 140th Avenue North, Suite 101  
Clearwater, FL 33762, USA  
Tel: + 1 (727) 461 2270  
Fax: +1 (727) 538 4237  
Email: [info@solderstar.com](mailto:info@solderstar.com)



Solderstar (Germany)  
Dehmer Str. 48  
32549 Bad Oeynhausen, Germany  
Tel: +49 5731 3002811  
Fax: +49 5731 3002814  
Email: [info@solderstar.de](mailto:info@solderstar.de)